

Hummingbird Z6.3.2

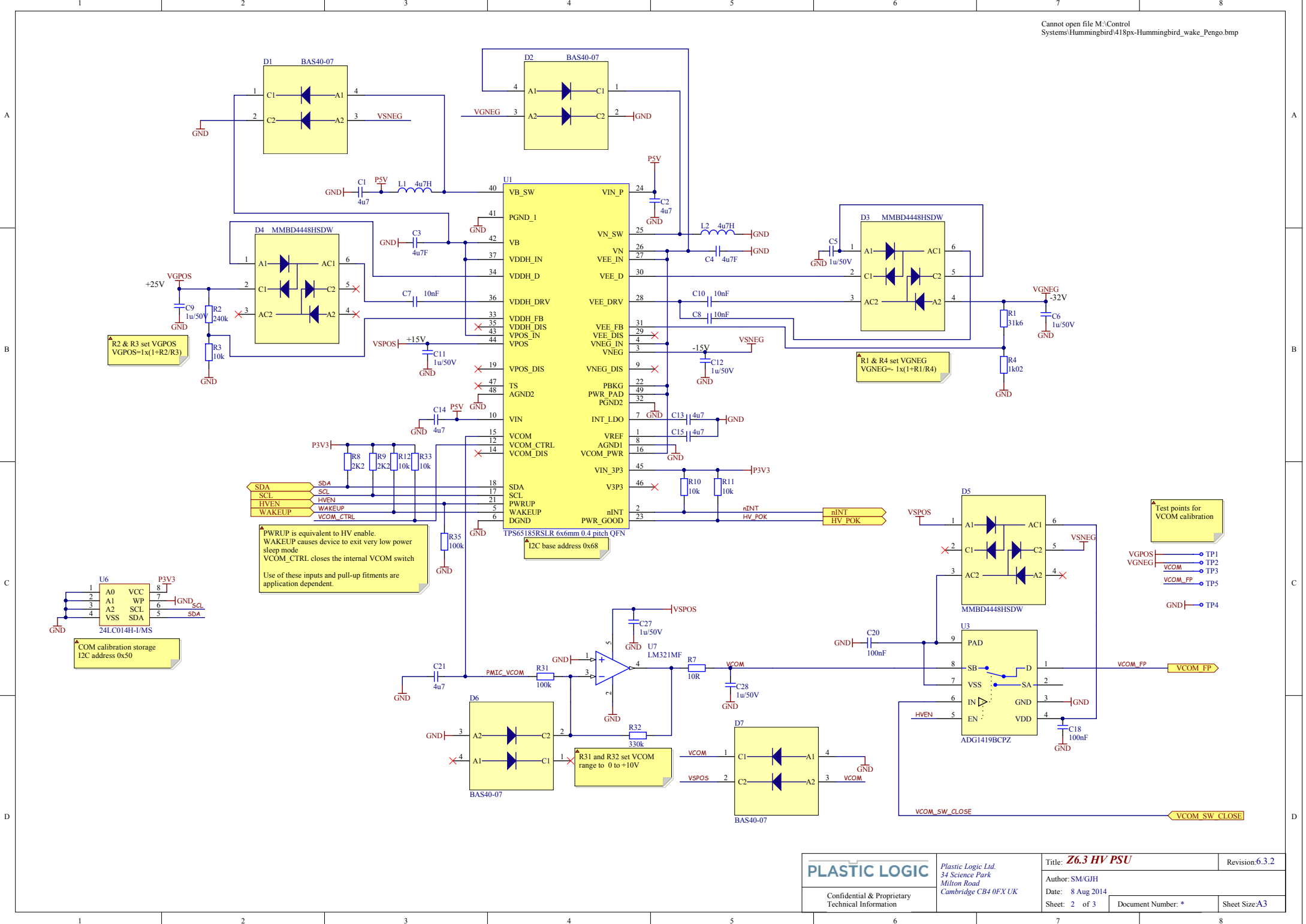
Designer : SM/GJH
 Date : 8 Aug 2014
 Board revision : 6.3.2
 Board description : Small Displays Evaluation PCB. Mimimum PCB area. TI PMIC

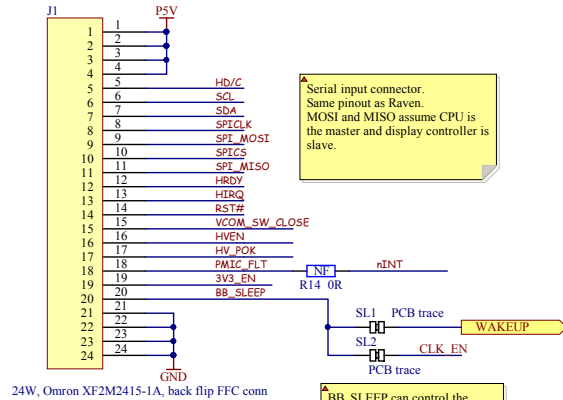
Table of contents

Page Number	Page name
1	FRONT PAGE
2	HV PSU
3	CONNECTORS & LV PSU
4	
5	
6	
7	
8	
9	
10	
11	
12	
13	
14	
15	

Revision History

Revision number		Date	Engineer	Description
Major	Minor			
	6.0.1	25/06/13	GJH	BAS70-07 part changed to BAS40-07
6.1		09/07/13	GJH	Add capacitor to COM
6.2		17/09/13		Connector changes to Omron parts
6.3		29/10/13	SM	U3 EN input now connected to HVEN
	6.3.1	29/10/13	GJH	I2C pullup resistors changed to 2K2 (R8 + R9)
	6.3.2	08/08/14	SM	HVPSU: R1 now 31k6, R4 now 1k02

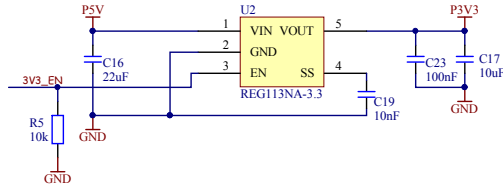




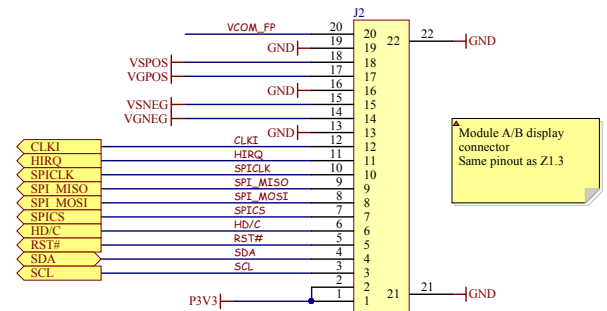
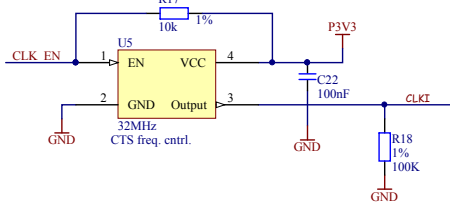
24W, Omron XF2M2415-1A, back flip FFC conn

A
Serial input connector.
Same pinout as Raven.
MOSI and MISO assume CPU is
the master and display controller is
slave.

A
BB_SLEEP can control the
PMIC sleep mode and the enable
for the clock to the EPSON.
To change configuration, cut the
track between the pads.



32MHz EPDC Clock Circuit



20W, Omron XF2M2015-1A, back flip FFC conn, dual contact

A
Module A/B display
connector
Same pinout as Z1.3

