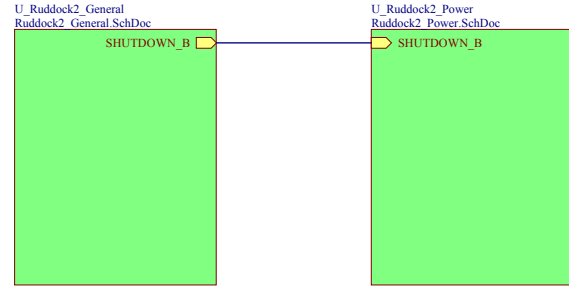


# Ruddock 2.0.1

Designer : A. Ethrington/G.Smallwood/G.Husbands  
 Date : 2nd May 2014  
 Board revision : V2.0.1  
 Board description : Ruddock2 - Processor Interface for Raven and HBZ6



## Table of contents

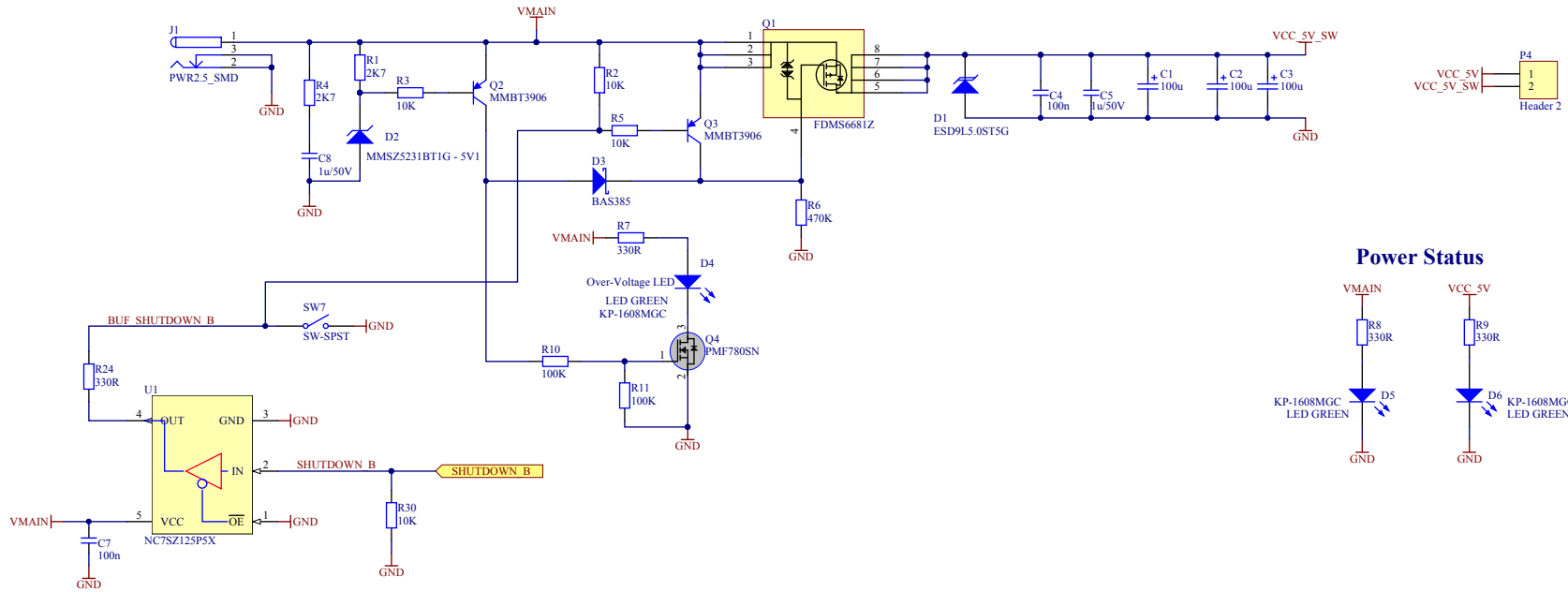
Page Number	Page name
1	This page
2	General
3	Power
4	
5	
6	
7	
8	
9	
10	
11	
12	
13	
14	
15	

## Revision History

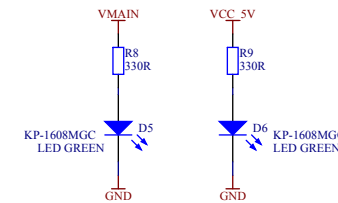
Revision number		Date	Engineer	Description
Major	Minor			
	2.0.1	2nd May 2014	GJH	Change I2C resistors R27 and R28 to NF Change RP10 to 0R



## DC Supply, Overvoltage Protection



### Power Status



100R on "BB Shutdown\_B" protects Beaglebone o/p if shutdown switch is closed, while o/p from Beaglebone is high.